



# Apple Newton MessagePad

---

Apple Newton MessagePad, Apple Newton MessagePad 100, Apple Newton MessagePad 110, Apple Newton MessagePad 120, Apple Newton MessagePad 120 with Newton 2.0, Apple Newton MessagePad 130





## Basics

---

Apple Newton MessagePad





## General

There are five versions of the Apple Newton MessagePad personal digital assistants (PDAs). Each is repaired through whole-unit exchange.

### **Apple Newton MessagePad/Apple Newton MessagePad 100**

The original Apple Newton MessagePad PDAs have a stylus mount along the right side of the unit and a PCMCIA slot at the top. There is no built-in cover.





## **Apple Newton MessagePad 110**

The Apple Newton MessagePad 110 has an integrated “copier style” lid that flips back and fastens on the rear of the unit. The stylus for the 110 mounts into a slot that extends into the right side of the unit, and the PCMCIA slot is on the right side.

## **Apple Newton MessagePad 120**

The memory system of the Apple Newton MessagePad 120 is a combination of FLASH and SRAM. Its “copier style” lid is removable.





## **Apple Newton MessagePad 120 with Newton 2.0 Operating System**

In addition to the features offered in the original Apple Newton MessagePad 120, the MessagePad 120 with Newton 2.0 includes improvements in system software, bundled software for Pocket Quicken and eWorld, and a fax send and receive capability. The Newton keyboard is an option for the MessagePad 120 with Newton 2.0. (The keyboard is compatible only with Newton 2.0.)





## Apple Newton MessagePad 130

The Apple Newton MessagePad 130 is physically identical to the MessagePad 120 except for its display. The MessagePad 130 employs a user-controllable backlit screen that is more durable and glare-free. In addition, it provides 1 MB of SRAM for enhanced communications capabilities and multitasking support, including support for Class II Fax.





## Specifications

---

Apple Newton MessagePad





## Processor

### CPU

ARM 610 microprocessor  
20 MHz







## Memory

**MessagePad/  
MessagePad 100  
RAM**

640K

**MessagePad 110  
RAM**

1 MB

**MessagePad 120  
RAM**

2 MB (1.5 MB FLASH, 0.5 MB SRAM)

**MessagePad 130  
RAM**

2.5 MB (1.5 MB FLASH, 1 MB SRAM)





**MessagePad 100/  
110/120 ROM**

4 MB

**MessagePad 130  
ROM**

8 MB (with 2.01 OS)





## I/O Interface

### **Serial**

High-speed LocalTalk-compatible serial port with mini DIN-8 connectors

### **PCMCIA**

PCMCIA type II slot with card ejection





## Sound and Video

### **MessagePad 110/ 120/130 Speaker**

Capable (in many countries) of Dual Tone Multi-Frequency dialing and user alert sounds

### **MessagePad/ MessagePad 100 Video Display**

Reflective, low-power LCD with fixed icon area  
336 x 240 pixels

### **MessagePad 110/120 Video Display**

Reflective LCD with fixed icon area  
320 x 240 pixels  
0.30 mm dot pitch

### **MessagePad 130 Video Display**

Transflective LCD with EL backlight  
320 x 240 pixels





## Electrical

**MessagePad/  
MessagePad 100  
Main Batteries**

4 AAA alkaline batteries or rechargeable NiCad battery pack

**MessagePad 110/  
120/130 Main  
Batteries**

4 AA alkaline batteries or a rechargeable NiCad battery pack

**MessagePad/  
MessagePad 100  
Backup Battery**

CR 2032 lithium





**MessagePad 110/  
120/130 Backup  
Battery**

DL 2032 lithium





## Physical

<b>MessagePad/ MessagePad 100 Dimensions</b>	Height: 184.75 mm Width: 114.3 mm Depth: 19.05 mm
------------------------------------------------------	---------------------------------------------------------

<b>MessagePad 110/ 120/130 Dimensions</b>	Height: 202 mm Width: 106 mm Depth: 31 mm
-----------------------------------------------	-------------------------------------------------

<b>MessagePad/ MessagePad 100 Weight</b>	.4 kg
--------------------------------------------------	-------





**MessagePad 110/  
120/130 Weight**

.580 kg/1.28 lb. with batteries or battery pack

.475 kg/1.05 lb. without batteries or battery pack







## Environmental

**Operating  
Temperature**

0-40°C

**MessagePad/  
MessagePad 100  
Storage  
Temperature**

-20 to 60°C

**MessagePad 110/  
120/130 Storage  
Temperature**

-20 to 47°C





**MessagePad/  
MessagePad 100  
Relative Humidity** 20%–95% noncondensing

**MessagePad 110/  
120/130 Relative  
Humidity** 20%–90% noncondensing

**MessagePad 120/130  
Operating Altitude** 0–10, 000 ft.





# Troubleshooting

---

## Apple Newton MessagePad





## General

If you require assistance, contact Apple Technical Support.



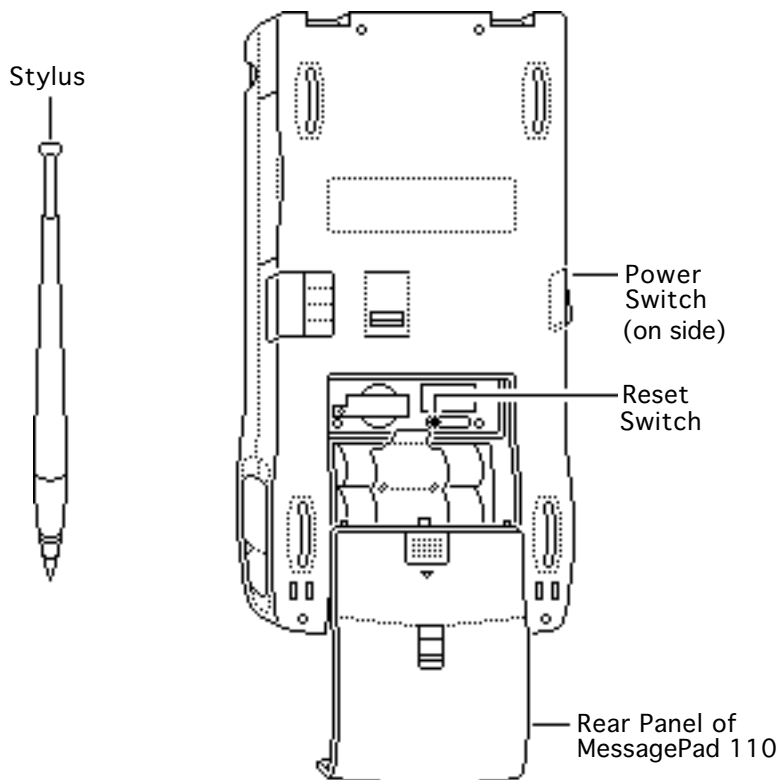


## Power Manager Reset

To reset the power manager in the Apple Newton MessagePad,

- 1 Remove the rear panel.
- 2 Use the plastic stylus to press the reset switch.
- 3 Power on the unit by sliding the power switch down and letting it spring back.

Resetting the power manager does not erase the information in the MessagePad and it solves most problems.





Exploded View

---

Apple Newton MessagePad





# Exploded View

